

CODE	Dn1	L1	D1	Dn2	L2	Dn3	L3	D3	L	L4	D	D2
12EISTR114114034	1 1/4	0.91	1.42	1 1/4	0.91	3/4	0.67	0.87	3.86	1.69	2.16	1.38
12EISTR11411401	1 1/4	0.91	1.42	1 1/4	0.91	1	0.79	1.10	3.86	1.81	2.16	1.77
12EISTR112112034	1 1/2	0.98	1.69	1 1/2	0.98	3/4	0.67	0.87	4.57	1.97	2.48	1.38
12EISTR11211201	1 1/2	0.98	1.69	1 1/2	0.98	1	0.79	1.10	4.57	2.09	2.48	1.77
12EISTR112112114	1 1/2	0.98	1.69	1 1/2	0.98	1 1/4	0.91	1.41	4.57	2.20	2.48	2.16
12EISTR0202034	2	1.02	2.13	2	1.02	3/4	0.67	0.87	5.20	2.24	3.07	1.38
12EISTR020201	2	1.02	2.13	2	1.02	1	0.79	1.10	5.20	2.36	3.07	1.77
12EISTR0202114	2	1.02	2.13	2	1.02	1 1/4	0.91	1.42	5.20	2.48	3.07	2.16



ITEM: **EISTR**

DESC: SOCKET FUSION REDUCED TEE -  
PE4710 230PSI

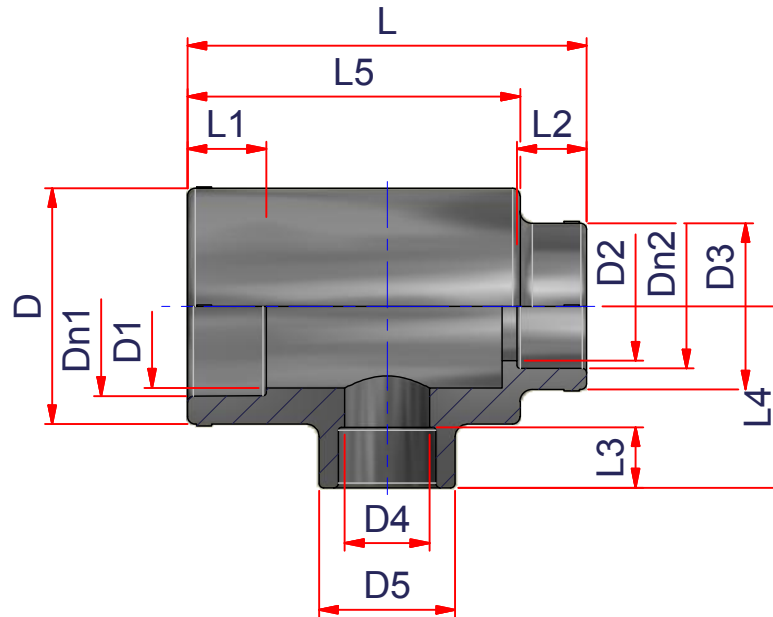


DRAWING No:  
**EL10031**

SHEET OF	REV.
1 2	0

www.nupigeco.com - info@nupigeco.com

All dimensions have to be considered in inches with 5% tolerance if not otherwise mentioned



CODE	Dn1	L1	D1	Dn2	L2	D2	Dn3	L3	D4	L	L4	L5	D	D3	D5
12EISTR114034034	1 1/4	0.91	1.42	3/4	0.67	0.87	3/4	0.67	0.87	3.86	1.69	3.23	2.16	1.38	1.38
12EISTR112114034	1 1/4	0.91	1.42	1	0.79	1.10	1	0.79	1.10	3.86	1.81	3.15	2.16	1.77	1.77
12EISTR112114034	1 1/2	0.98	1.69	1 1/4	0.91	1.42	3/4	0.67	0.87	4.57	1.97	3.70	2.48	2.16	1.38
12EISTR11211401	1 1/2	0.98	1.69	1 1/4	0.91	1.42	1	0.79	1.10	4.57	2.09	3.70	2.48	2.16	1.77
12EISTR112114114	1 1/2	0.98	1.69	1 1/4	0.91	1.42	1 1/4	0.91	1.42	4.57	2.20	3.70	2.48	2.16	2.16
12EISTR02114034	2	1.02	2.13	1 1/4	0.91	1.42	3/4	0.67	0.87	5.20	2.24	4.33	3.07	2.16	1.38
12EISTR0211401	2	1.02	2.13	1 1/4	0.91	1.42	1	0.79	1.10	5.20	2.36	4.33	3.07	2.16	1.77
12EISTR02114114	2	1.02	2.13	1 1/4	0.91	1.42	1 1/4	0.91	1.42	5.20	2.48	4.33	3.07	2.16	2.17
12EISTR02112034	2	1.02	2.13	1 1/2	0.98	1.69	3/4	0.67	0.87	5.20	2.24	4.33	3.07	2.48	1.38
12EISTR0211201	2	1.02	2.13	1 1/2	0.98	1.69	1	0.79	1.10	5.20	2.36	4.33	3.07	2.48	1.77
12EISTR02112114	2	1.02	2.13	1 1/2	0.98	1.69	1 1/4	0.91	1.42	5.20	2.48	4.33	3.07	2.48	2.17



ITEM: EISTR

DESC: SOCKET FUSION REDUCED TEE - PE4710 230PSI



DRAWING No:  
EL10031

SHEET OF  
2 2 0

www.nupigeco.com - info@nupigeco.com

All dimensions have to be considered in inches with 5% tolerance if not otherwise mentioned