



SUBMITTAL DATA SHEET	
EL_IN_00002.docx	Rev. -1
Sheet 1 of 2	

ELOFIT VALVES

BALL VALVE FOR UNDERGROUND APPLICATION

ITEM: 12EIVS_

SIZE RANGE: 1" IPS or 1" CTS ÷ 8" IPS

SDR: 11

FUSION RANGE: for Butt Fusion – SDR 11
for Electrofusion – SDR 11 and up

MATERIAL: VALVE: HDPE PE4710 according with ASTM D3350
SEAL: EPDM, (standard size O-Ring) PTFE (ball seats)

COLOR: Black

HDB RATING (50y): 1600psi @ 73°F, 1000psi @ 160°F

MRS RATING (50y): 10MPa



INSTALLATION INSTRUCTIONS:

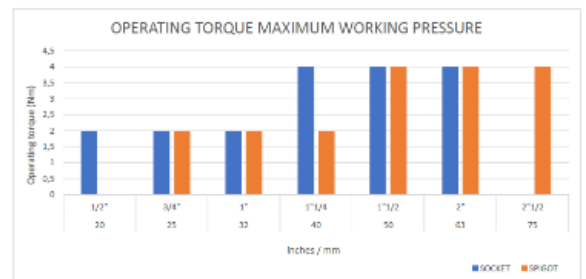
Butt Fusion - Butt fitting in accordance with ASTM F2620, PPI TR-33 and NUPI Elofit Installation Manual
Electrofusion - Electrofusion in accordance with ASTM F1290 and NUPI Elofit Installation Manual

HYGIENIC LAW AND SPECIFICATIONS: NSF 61 (Drinking Water System Components – Health Effects).

STANDARDS:

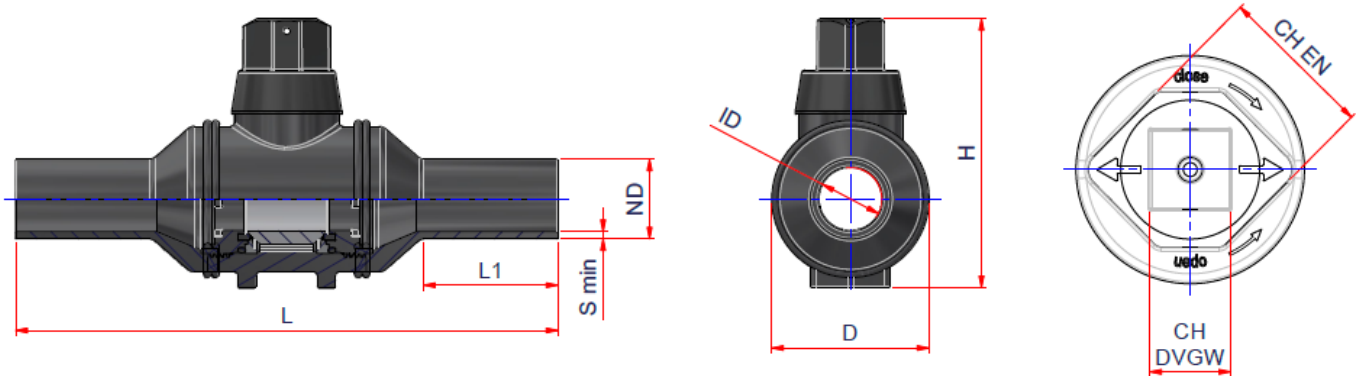
Coupled with pipes according to ASTM D2513 (Standard Specification for Polyethylene (PE) Gas Pressure Pipe, Tubing, and Fittings), ASTM D3350 (Standard Specification for Polyethylene Plastics Pipe and Fittings Materials), AWWA C901 (Polyethylene (PE) Pressure Pipe and Tubing, ½ In. (13 mm) through 3 In. (76 mm), for Water Service), AWWA C906 (Polyethylene (PE) Pressure Pipe and Fittings, 4 In. (100 mm) Through 63 In. (1,600 mm), For Water Distribution and Transmission), ASME B16.40 (Manually Operated Thermoplastic Gas Shutoffs and Valves in Gas Distribution Systems), and IAPMO Z1157 (Ball Valves).

COLD WATER 73.4°F



PRODUCT INFORMATION AND APPLICATION USE:

The Elofit Butt Fusion fittings are designed to be joined by butt fusion and electro fusion in accordance with the applicable standards and installation instructions. The dimensions and performance of the fittings comply with the requirements of ASTM D2513, ASTM D3261, AWWA C901/C906. The fittings are designed with a sufficient thickness and length of the melting zone to meet the pressure rating of the corresponding pipe SDR. Fittings are either injection molded, or fabricated from pipe and are black in color. HDPE material is listed PPI TR-4. Intended use is for: natural gas, water, sewerage, geothermal, industrial applications (ref. PPI TR-19). The hygienic properties for drinking water systems comply with NSF 61 requirements.



CODE	Weight lbs/pc	Volume ft ³ /pc	ND	ID	OD	S min	D	L1	L	H	CH EN	CH DVGW	Notes
12EIVS01CTS	1.025	0.0804	1" CTS	0.885	1.125	0.101	2.48	2.95	10.94	5.12	2"	0.79	Full Bore
12EIVS01	1.025	0.0804	1" IPS	0.935	1.315	0.120	2.48	2.95	10.94	5.12	2"	0.79	Full Bore
12EIVS114CTS	3.858	0.3231	1 1/4" CTS	1.102	1.375	0.121	4.33	3.15	16.14	7.99	2"	0.98	Full Bore
12EIVS114	3.858	0.3231	1 1/4" IPS	1.323	1.660	0.151	4.33	3.15	16.14	7.99	2"	0.98	Full Bore
12EIVS112	3.858	0.3231	1 1/2" IPS	1.510	1.900	1.073	4.33	3.54	16.14	7.99	2"	0.98	Full Bore
12EIVS02	4.101	0.3231	2" IPS	1.890	2.375	0.216	4.33	3.94	16.14	7.99	2"	0.98	Full Bore
12EIVS03	14.991	0.8701	3" IPS	2.783	3.500	0.318	6.30	5.91	21.50	11.10	2"	0.98	Full Bore
12EIVS04	15.653	0.8701	4" IPS	3.110	4.500	0.409	6.30	6.10	21.50	11.10	2"	0.98	Full Bore
12EIVS0680	14.334	0.963	6" IPS	3.110	6.625	0.602	6.61	6.22	22.68	11.10	2"	0.98	Reduced Bore
12EIVS06100	22.121	1.4164	6" IPS	3.700	6.625	0.602	8.27	6.22	23.6	12.54	2"	0.98	Reduced Bore
12EIVS06	47.399	2.649	6" IPS	5.157	6.625	0.602	11.81	4.35	23.62	16.42	2"	0.98	Full Bore
12EIVS08125	49.604	2.649	8" IPS	5.157	8.625	0.784	11.81	4.98	23.62	16.42	2"	0.98	Reduced Bore

MANUFACTURER'S WARRANTY:

Thirty (30) Years from the date of sale upon successful completion of pressure test of the piping system (refer to published warranty for complete details).

NOTE:

* More information can be found on ELOFIT TECHNICAL CATALOGUE

**For ELOFIT pipe and fittings to meet E-84 and/or CAN/ULC S102.2 for installation in a plenum application, it must be covered with a minimum of 1" or greater E-84 fiberglass insulation.

*** Technical Data may undergo dimensional changes, check revision at the top.